



Perfect Airconditioning Trading Company

A-269 Okhla Industrial Area-I ,New Delhi-110020

Tel:011-26817098,26817099,26811831,26811832,41811832

Email: ac@tripti.in Website: www.tripti.in

PRESENTING CENTRAL AIR COOLING SOLUTIONS



COOLING THE WORLD SINCE 1939

We've been making the world 'cooler' for the past 80 years. Our constant pursuit towards better cooling has resulted in the birth of technologically advanced air coolers. They have become instant bestsellers owing to their customer centric, insightful and efficient designs.

- 1939** The air cooler was invented by Goettl brothers in USA. International Metal Products Company (now IMPCO, a Symphony Group Company) was founded.
 - 1955** International Metal Products Company de Mexico, S.A. de C.V. was established.
 - 1988** Symphony pioneered branded air coolers in India.
 - 1993** Launched Kaizen - cooler that looks like an AC.
 - 1994** Symphony went public.
 - 2001** Keruilai (now a Symphony Group Company) was founded in China.
 - 2009** Symphony acquired IMPCO.
 - 2010** Introduced Central Air Cooling Solutions + India's largest commercial air cooling project.
 - 2012** Introduced Intelligent Cooler range + Introduced Storm - world's largest tower cooler + Government recognition for R&D center.
 - 2015** Acquisition of Keruilai + Market value of Symphony crossed ₹ 11,000 crores
 - 2016** Introduced Cloud - world's first wall mounted air cooler + Introduced i-Pure range
 - 2017** Introduced Touch range-world's first air coolers with touchscreen and voice assist.
 - 2018** Symphony's acquisition of Climate Technologies-Australia & Bonaire-USA + Market value of Symphony crossed ₹ 15,000 crores
 - 2019** Symphony introduces its commercial range of air coolers & world's first universal air coolers manufactured in India
- Symphony's range of heavy-duty Central Air Coolers are manufactured in state-of-the-art plants in India, North America, Australia and China with vertically integrated manufacturing facilities.

OUR GLOBAL COMPANIES

| | | | | |
|---|---|---|---|--|
|  Symphony Limited India symphonylimited.com |  Impco S. de R.L de C.V. Mexico symphonylimited.com.mx |  GSK Air Coolers Co. Ltd. China keruilai.com |  Climate Technologies Pty Ltd. Australia climatetechnologies.com.au |  Bonaire USA USA bonaire-usa.com |
|  |  |  |  |  |

AIR THAT LIFTS.

It requires a cool head to make businesses successful. Because when the mind is fresh, the work is too. So in order to boost productivity, you not only require an efficient work force but also comfortable working conditions as well. Especially in a country that is predominantly dry and hot.

With a range of proficient commercial coolers, Symphony brings to you clean, filtered air that lifts spirits. Because it's important to have an air of ambition around the work place. Add to that a 90% reduction in electricity consumption compared to air-conditioning systems and we're bound to make your business cooler.

Effective Temperature °F/°C

75/24 80/27 85/29 90/32 95/35 100/38 105/41

Loss of Work Output

3% 8% 18% 29% 45% 62% 79%

Loss in Accuracy

0% 5% 40% 300% 700% >700% >700%



IIM A
Says...

Worker's productivity can be enhanced up to 12% by increasing the level of thermal comfort at the workplace. Research shows that optimal range of ambient temperature for enhanced worker's productivity is about 23-30° Celsius. Improvement in productivity can be gained through establishment of cooling solution at indoor workplaces.



NASA
Says...

NASA found and reported in heat stress report CR-1205 (1) that temperature over 75°F negatively affects both productivity and accuracy of work. The following table is a summary of the relationship identified during NASA test between temperature, work output and accuracy.

ADVANTAGES OF SYMPHONY CENTRAL AIR COOLING SOLUTIONS



Improved Productivity

Constant influx of fresh air ensures an air cooled space and prevents allergies caused by poor ventilation.

Improved Staff Morale

Better working conditions at the workplace result in better staff morale.

Improved Air Quality

With an increase in worker's productivity, your business is bound to flourish.

Improved Revenue

As per IIMA Research, worker's productivity can be enhanced up to 12% by increasing the level of thermal comfort.



Save on Electricity

Power consumption is typically reduced by 2/3rd of the refrigerated air.

Save on Initial Cost

Estimated cost of installation is significantly less compared to central air conditioning.

Save on Maintenance

Only two mechanical parts in most basic coolers means they can be repaired inexpensively.

Payback in 4-5 months

Lower electricity cost means the cost of installation is recovered in 4-5 months.

Working principle of Symphony

Evaporative Air Coolers

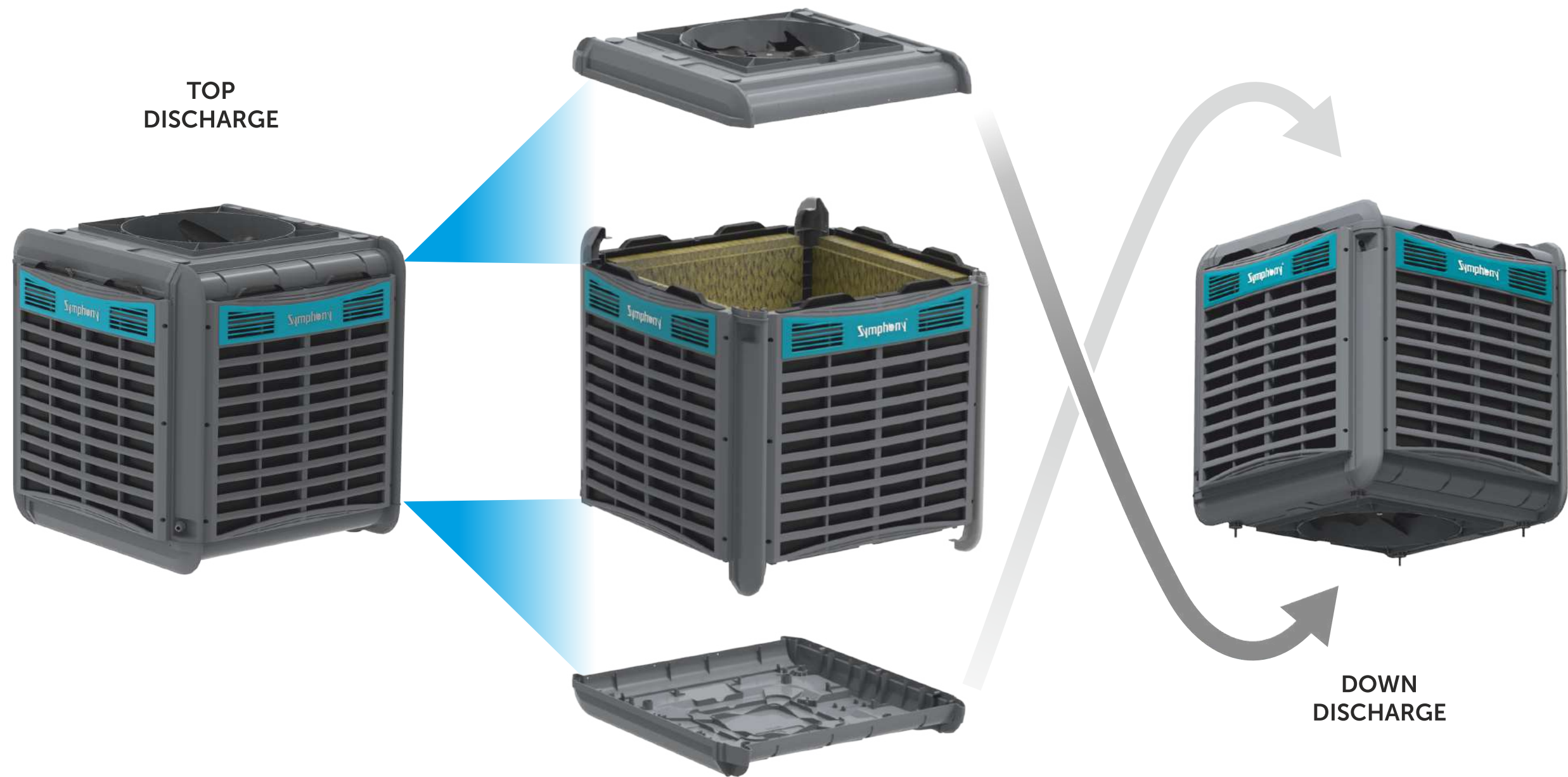
Filtered and cooled by an evaporative air cooler, the outdoor fresh air is continuously sent into the indoor space through the air duct and air supply outlets. With the continuous supply of fresh air, the indoor space is in a positive pressure condition, thus the original hot air containing odor and dust will be emitted out of the room, resulting in a cool, ventilated, clean and comfortable environment. Suitable exhaust area and effective exhaust are essential for satisfactory performance of any evaporative air cooling system.



World's First
UNIVERSAL PACKAGED AIR COOLER
FOR INDUSTRIAL & COMMERCIAL USAGE



Symphony Universal Air Coolers are uniquely designed to provide flexibility during installation. The product can be used for top or down discharge depending on the requirement. It takes minutes to interchange from Top to Down discharge or vice versa.



MADE IN INDIA
MADE FOR THE WORLD

PAC 20U

20,000 CMH

NEW



Features

- ◆ Universal air cooler with top/down discharge options
- ◆ +Air fan for more air delivery
- ◆ 4-side high efficiency honeycomb pads
- ◆ Cool Flow Dispenser for better cooling
- ◆ Optimized motor and fan to deliver powerful airflow
- ◆ Single speed



PAC 25U

25,000 CMH

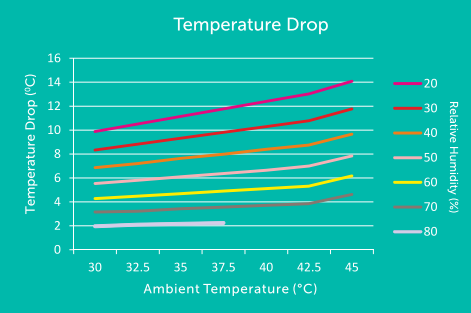
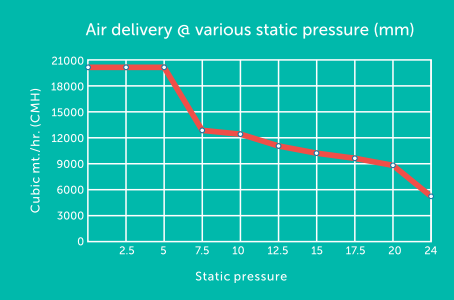
NEW

Features

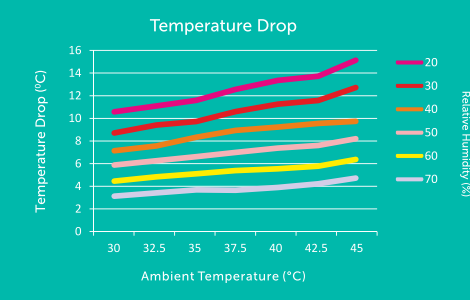
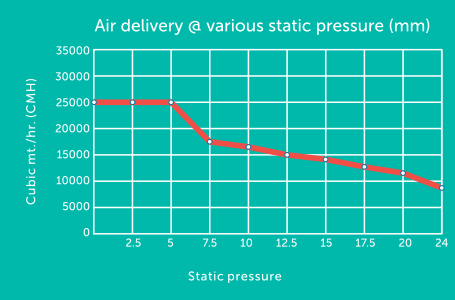
- ◆ Universal air cooler with top/down discharge options
- ◆ +Air fan for more air delivery
- ◆ 4-side high efficiency honeycomb pads
- ◆ Cool Flow Dispenser for better cooling
- ◆ Optimized motor and fan to deliver powerful airflow
- ◆ Single speed



Performance Curves

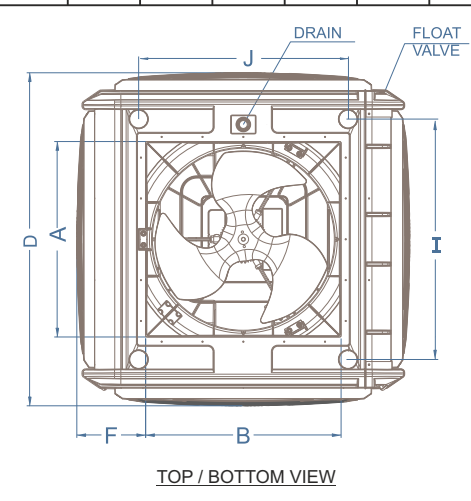
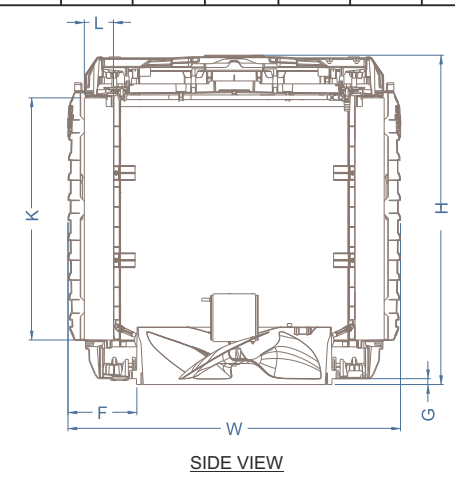


Performance Curves



Dimensions

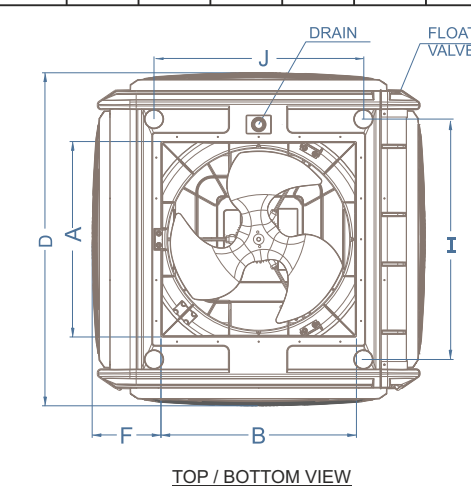
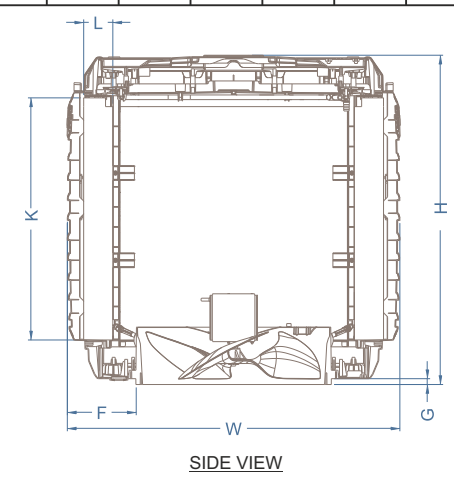
| MODEL | PRODUCT | | | MOUNTING | | AIR OUTLET | | | | FAN | MEDIA | | | FILTER | | |
|-----------------|---------|------|-----|----------|-----|------------|-----|-----|----|-------|-------|-----|-------|--------|-------|--|
| PAC 20U | W | D | H | I | J | A | B | F | G | DIA Ø | K | L | Width | Height | Width | |
| DIMENSIONS (mm) | 1140 | 1140 | 870 | 825 | 720 | 670 | 670 | 235 | 20 | 609 | 546 | 100 | 780 | 565 | 370 | |



Note: Actual measurements & colours may vary within +/-15% of specified values.

Dimensions

| MODEL | PRODUCT | | | MOUNTING | | AIR OUTLET | | | | FAN | MEDIA | | | FILTER | | |
|-----------------|---------|------|------|----------|-----|------------|-----|-----|----|-------|-------|-----|-------|--------|-------|--|
| PAC 25U | W | D | H | I | J | A | B | F | G | DIA Ø | K | L | Width | Height | Width | |
| DIMENSIONS (mm) | 1140 | 1140 | 1130 | 825 | 720 | 670 | 670 | 235 | 20 | 609 | 830 | 100 | 780 | 850 | 370 | |



Note: Actual measurements & colours may vary within +/-15% of specified values.

PAC 32i

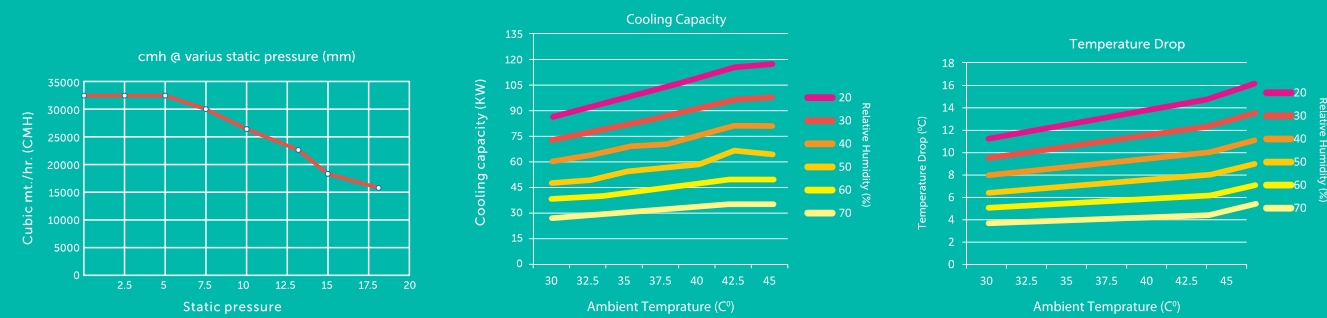
32,000 CMH

Features

- ◆ High performance cooling pads
- ◆ Wired remote control
- ◆ Auto Clean function to keep tank and water clean and to prevent frequent clogging of pads
- ◆ Optimized motor and fan to deliver low noise and powerful airflow
- ◆ Automatic solenoid valves
- ◆ Easy installation and maintenance
- ◆ High quality air pre-filter to protect the cooling pad

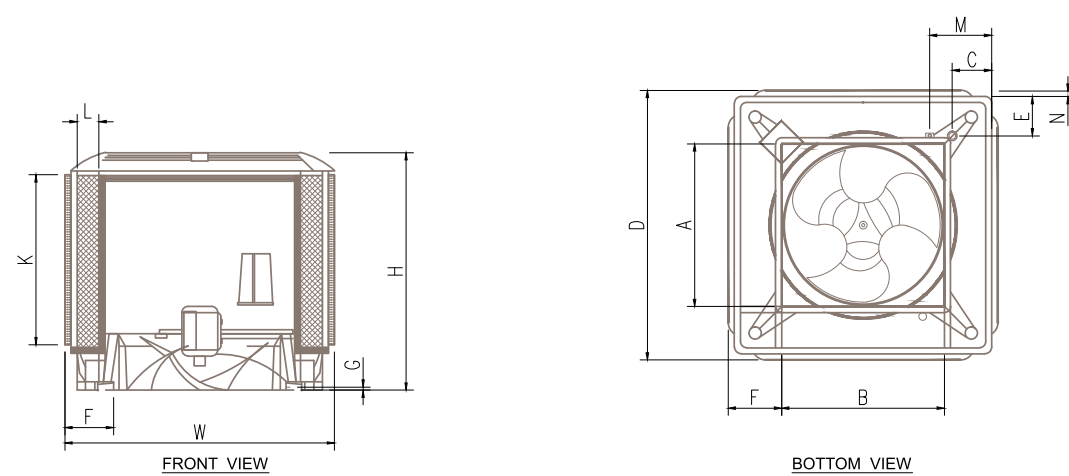


Performance Curves



Dimensions

| MODEL | PRODUCT DIMENSION | | | AIR OUTLET | | | DRAIN LOCATION | | | DUCT HEIGHT | WATER SERVICE | | FAN WHEEL DIA Ø | MEDIA | | | FILTER 08 Nos | |
|-----------|-------------------|------|------|------------|-----|-----|----------------|-----|----|-------------|---------------|-----|-----------------|-------|-----|-------|---------------|-------|
| | H | W | D | A | B | F | C | E | G | | M | N | | K | L | Width | Height | Width |
| PAC - 32i | 1125 | 1225 | 1225 | 777 | 777 | 128 | 128 | 128 | 40 | 250 | 146 | 710 | 838 | 120 | 860 | 833 | 402 | |



Note: Actual measurements & colours may vary within +/-15% of specified values.

SPS 45 / 75

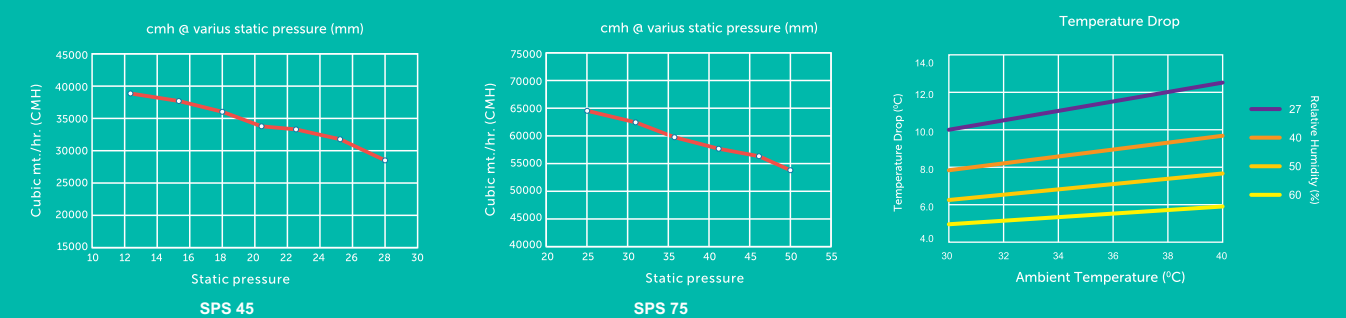
45,000 / 76,000 CMH

Features

- ◆ Stainless steel chassis with aluminium pillars for long life
- ◆ Wired remote control
- ◆ High air pressure and long distance air delivery
- ◆ High performance cooling pads
- ◆ Auto Clean function to keep tank and water clean and to prevent frequent clogging of pads
- ◆ High quality air pre-filter to protect the cooling pad

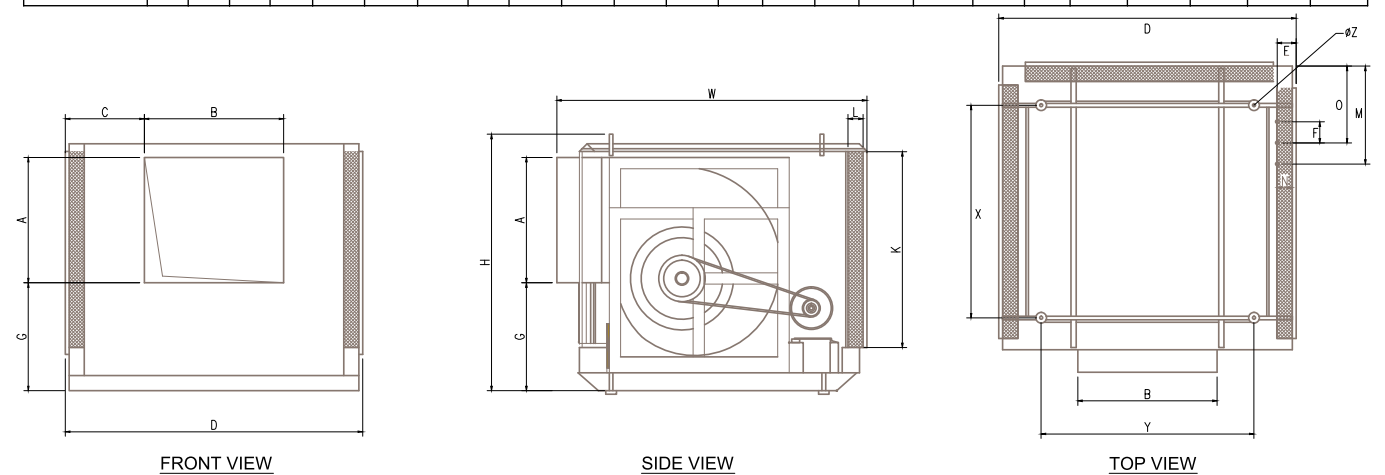


Performance Curves



Dimensions

| MODEL | PRODUCT | | | AIR OUTLET | | | DRAIN LOCATION | | | CABINET LOCATION | | | WATER SERVICE | | BLOWER WHEEL DIA Ø | BLOWER PULLEY DIA Ø | MEDIA | | | FILTER | | | | |
|------------------------|---------|------|------|------------|-----|-----|----------------|-----|-----|------------------|------|------|---------------|-----|--------------------|---------------------|-------|------|-----|--------|--------|-----|--------|-----|
| | H | W | D | A | B | C | G | E | O | F | X | Y | Z | M | | | N | K | L | Width | 06 Nos | | 03 Nos | |
| SPS 45 DIMENSIONS (mm) | 1440 | 1770 | 1770 | 700 | 782 | 495 | 515 | 131 | - | 245 | 1415 | 1160 | 516 | 385 | 126 | 635 | 355 | 1030 | 100 | 1480 | 1020 | 590 | 1020 | 290 |
| SPS 75 DIMENSIONS (mm) | 1700 | 2055 | 1970 | 834 | 926 | 523 | 715 | 131 | 510 | 140 | 1485 | 1410 | 20 | 650 | 126 | 760 | 450 | 1355 | 100 | 1680 | 1336 | 590 | 1336 | 490 |



Note: Actual measurements & colours may vary within +/-15% of specified values.

Movicool XXL

20,000 CMH

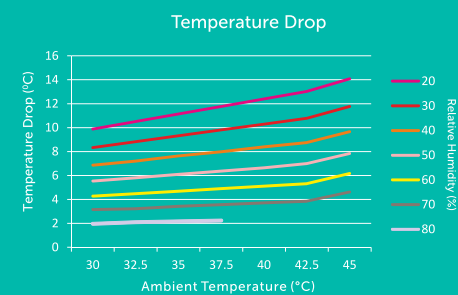
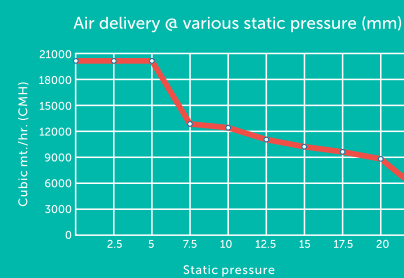
NEW

Features

- ◆ Specially designed pre-fitted plastic duct with 4 side deflection grill
- ◆ Heavy duty wheels for portability
- ◆ +Air fan for more air delivery
- ◆ Cool Flow Dispenser for better cooling
- ◆ 4-side high efficiency honeycomb pads
- ◆ Optimized motor and fan to deliver low noise and powerful airflow
- ◆ Easy installation and maintenance
- ◆ Single speed

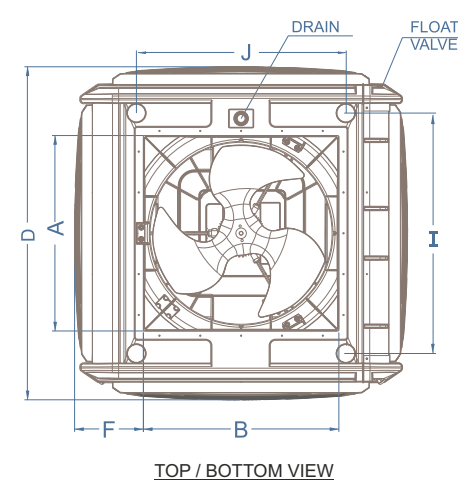
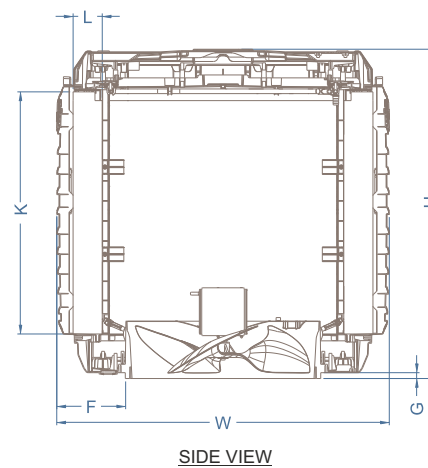


Performance Curves



Dimensions

| MODEL | PRODUCT | | | MOUNTING | | AIR OUTLET | | | | FAN | MEDIA | | FILTER | | |
|--------------|---------|------|-----|----------|-----|------------|-----|-----|----|-------|-------|-----|--------|--------|-------|
| | W | D | H | I | J | A | B | F | G | DIA Ø | K | L | Width | Height | Width |
| Movicool XXL | 1140 | 1140 | 870 | 825 | 720 | 670 | 670 | 235 | 20 | 609 | 546 | 100 | 780 | 565 | 370 |



Note: Actual measurements & colours may vary within +/-15% of specified values.

Movicool XL

18,000 / 18,000 / 17,000 CMH

INDIA'S 1st
DOUBLE DECKER
AIR COOLER



XL200i



XL100-G



DD125



3-side honeycomb cooling pads for enhanced cooling



Robust weather resistant body for long life



Powerful air throw for faster cooling



Other Features

- Easily removable and cleanable cooling pads
- Powerful 3 speed fan
- Fully closable horizontal louvers
- Auto vertical swing
- Low power consumption
- Three side dust filters
- Cool Flow Dispenser for enhanced cooling
- Float valve for auto water filling
- Lockable heavy duty wheels

| Model | | XL 200i | XL 100-G | DD 125 |
|---------------------|---------|-------------------|-------------------|------------------|
| Nominal Rating | CMH | 18000 | 18000 | 17000 |
| Voltage/Hertz/Phase | V/Hz/Ph | 230/50/1 | 230/50/1 | 230/50/1 |
| Power Consumption | W | 580 | 580 | 215 x 2 |
| Fan diameter | mm | 750 | 750 | 525 x 2 |
| Water Tank Volume | L | 200 | 100 | 125 |
| Unit Size | mm | 1125 x 725 x 1790 | 1125 x 725 x 1560 | 870 x 440 x 2100 |
| Weight (Net/Gross) | Kg | 52/61 | 43/51 | 40/50 |
| Cooling media | | Honeycomb | Honeycomb | Honeycomb |
| Shipping Quantity | 40HQ | 32 | 32 | 63 |

Note: Actual measurements & colours may vary within +/-15% of specified values.

Accessories

Modular duct

Features

- ◆ Suitable for PAC20U & PAC 25U
- ◆ UV Stabilized engineering plastic body
- ◆ Weather proof & rust proof body for long life
- ◆ Substantially reduces installation time
- ◆ Optimally designed for smooth airflow
- ◆ Leakage proof design



Duct elbow assembly

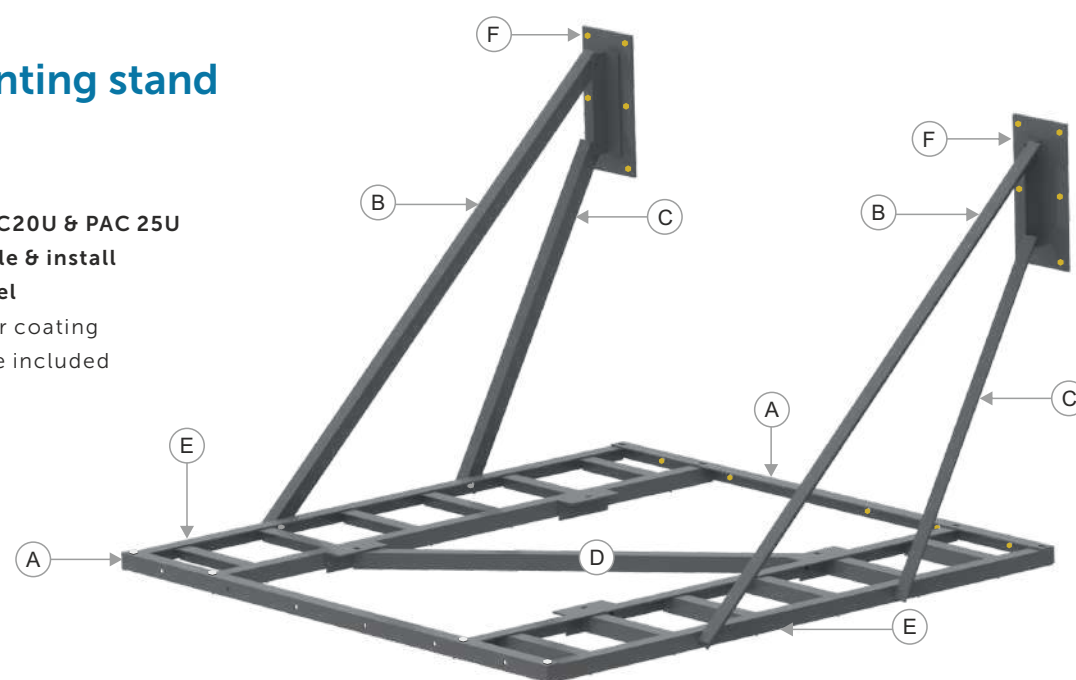
Modular duct assembly

Grill assembly

Wall mounting stand

Features

- ◆ Suitable for PAC20U & PAC 25U
- ◆ Easy to assemble & install
- ◆ Heavy duty Steel
- ◆ Durable powder coating
- ◆ Nuts & Bolts are included



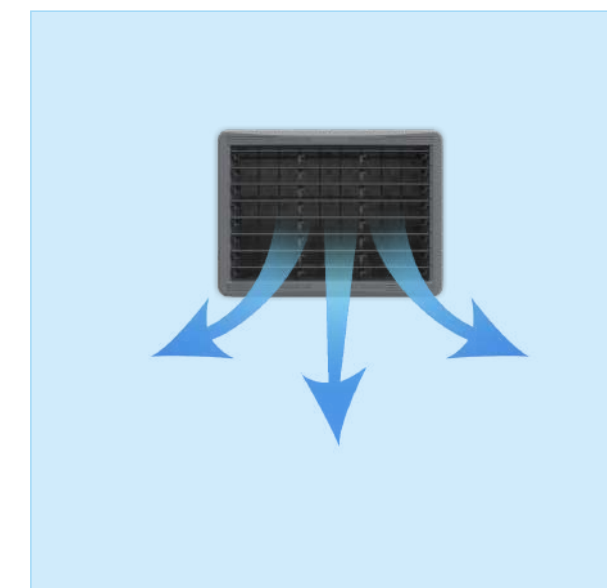
| Contents | Angles | | | | Side support assembly | Plate assembly | Anchor Fasteners | Bolt with washers & Nut |
|----------|--------|---|---|---|-----------------------|----------------|------------------|-------------------------|
| | A | B | C | D | | | | |
| Qty. | 2 | 2 | 2 | 1 | 2 | 2 | 18 | 16 |

Note: Please refer to the mounting guide manual provided with the stand.

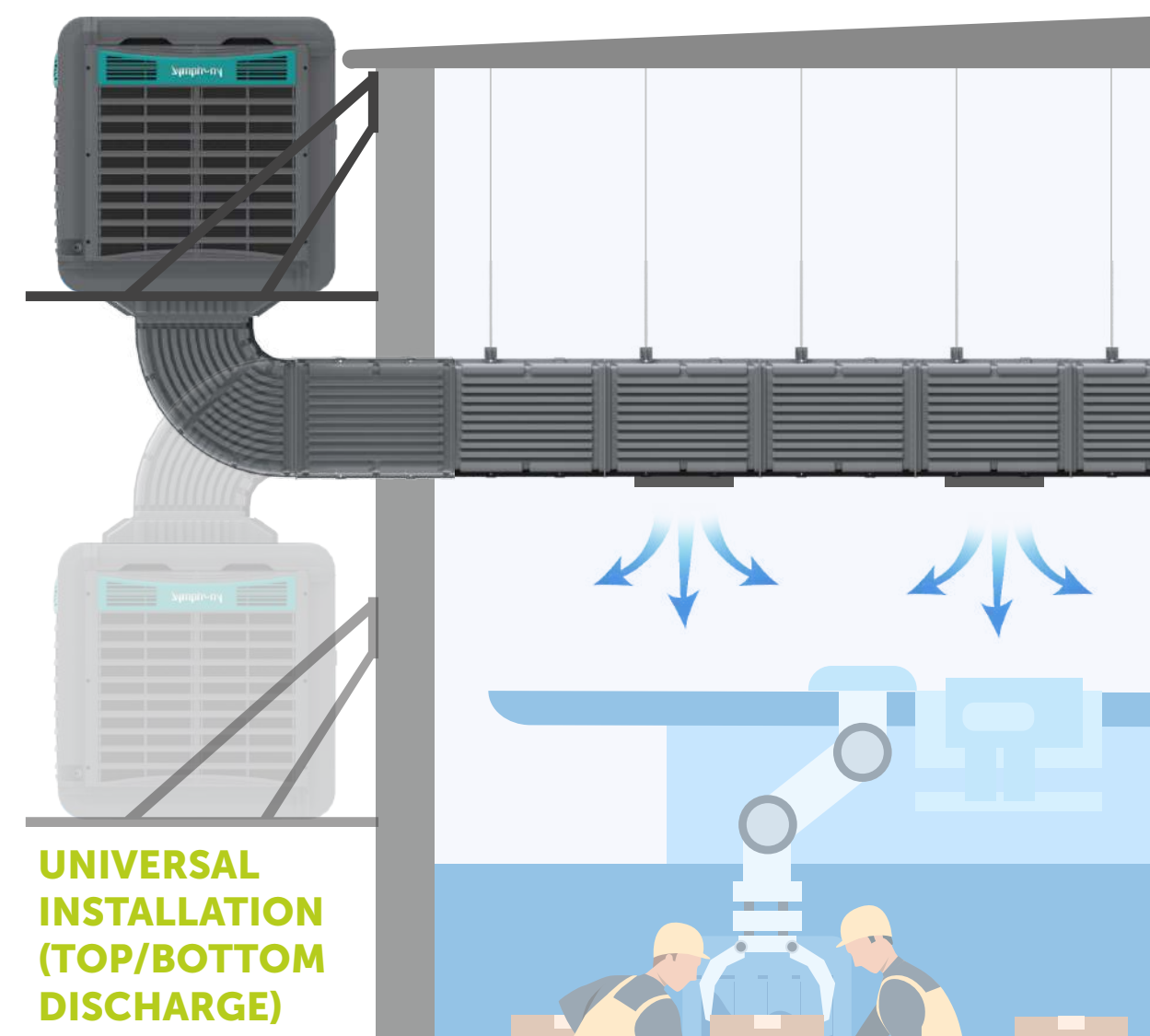
DUCT & GRILL INSTALLATION



OUTSIDE VIEW






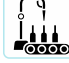














INSIDE VIEW



**UNIVERSAL
INSTALLATION
(TOP/BOTTOM
DISCHARGE)**

EVAPORATIVE AIR COOLING APPLICATIONS

| | | | |
|---|--|--|---|
|  Office |  Lecture hall |  Gym |  Hostel |
|  Class room |  Kitchen |  Restaurant |  Shop floor |
|  Lobby |  Bottling plant |  Banquet hall |  Assembly line |
|  Showroom |  Laundry |  Prayer hall |  Testing lab |
|  Canteen |  Club |  Hotel |  Warehouse |
|  Auditorium |  Poultry farm |  Hospital |  Panel room |
|  Movie theatre |  Textile |  Factory |  Store |

and much more...

OUR CUSTOMERS



and many more...





TECHNICAL SPECIFICATIONS*

| Parameter | Unit | PAC 20U | | PAC 25U | | PAC 32i | | SPS 45 | | SPS 75 | | Movicool XXL | |
|-----------------------------|---------|-----------------------------------|-----------------------------------|-----------------------------------|---------------------------------|---------------------------------|-----------------------------------|------------|------------|------------|------------|--------------|-----------------------------------|
| | | TOP / DOWN | TOP / DOWN | TOP / DOWN | TOP / DOWN | TOP / DOWN | TOP / DOWN | TOP / DOWN | TOP / DOWN | TOP / DOWN | TOP / DOWN | TOP | TOP |
| Discharge | | | | | | | | | | | | | |
| Nominal Air Delivery | cmh | 20000 | 25000 | 32000 | 45000 | 76000 | 20000 | | | | | | |
| Net weight | Kg | 53 | 69 | 93 | 450 | 630 | 53 | | | | | | |
| Operating weight | Kg | 115 / 89 | 131 / 105 | 147 | 555 | 755 | 115 | | | | | | |
| Input power supply | V-HZ-PH | 230V-50Hz-1PH | 415V-50Hz-3PH | 415V-50Hz-3PH | 415V-50Hz-3PH | 415V-50Hz-3PH | 230V-50Hz-1PH | | | | | | |
| Motor power | kw | 1.1 | 1.5 | 3 | 7.5 | 16 | 1.1 | | | | | | |
| Outside Dimensions (WxDxH) | mm | 1140 x 1140 x 870 | 1140 x 1140 x 1130 | 1225 x 1225 x (1125-D, 1145 T) | 1770 x 1770 x 1440 | 2055 x 1970 x 1700 | 1140 x 1140 x 870 | | | | | | |
| Air outlet Dimensions (HxW) | mm | 670 x 670 | 670 x 670 | 777 x 777 | 782 x 700 | 926 x 834 | 670 x 670 | | | | | | |
| Body material | | UV Stabilized Engineering Plastic | UV Stabilized Engineering Plastic | UV Stabilized Engineering Plastic | Automotive Steel, Powder coated | Automotive Steel, Powder coated | UV Stabilized Engineering Plastic | | | | | | UV Stabilized Engineering Plastic |
| Tank Capacity | liters | 70/40 | 70/40 | 40 | 80 | 100 | 70 | | | | | | |
| Air moving device | | FAN | FAN | FAN | BLOWER | BLOWER | FAN | | | | | | FAN |
| Fan diameter | mm | 620 | 620 | 710 | 635 | 760 | 620 | | | | | | |
| Cooling media | | Honeycomb pads | Honeycomb pads | Honeycomb pads | Honeycomb pads | Honeycomb pads | Honeycomb pads | | | | | | Honeycomb pads |
| Pad thickness | mm | 100 | 100 | 120 | 100 | 100 | 100 | | | | | | |
| Cooling surface area of pad | sq.mtr | 1.6 | 2.6 | 2.88 | 4.9 | 6.83 | 1.6 | | | | | | |
| Minimum cooling efficiency | % | 80 | 80 | 80 | 80 | 80 | 80 | | | | | | |
| No of speeds | nos | 1 | 1 | 1 | 1 | 1 | 1 | | | | | | |
| Sound pressure level @1m | dB(A) | 68 | 72 | 74 | 82.5 | 86 | 68 | | | | | | |
| Container Qty. | 40HQ | 60 (SKD) | 54 (SKD) | 45 (SKD) | 6 | 5 | 48 | | | | | | |

Note:- Must use suitable rated protective devices like single phase preventer, Voltage stabilizer, Spike buster, etc..

*Use suitable water supply with TDS less than 400 ppm.

*Under test condition DB38°C/WB23°C

*Above specifications, external appearance and colours are subject to change without prior notice, and, actual measurement may vary within +/-15% of specified values.